

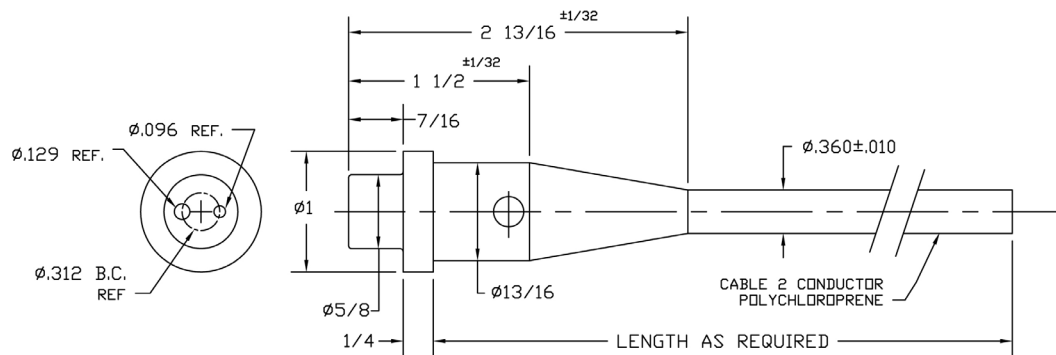


C1M2/C1F2 Underwater Connectors

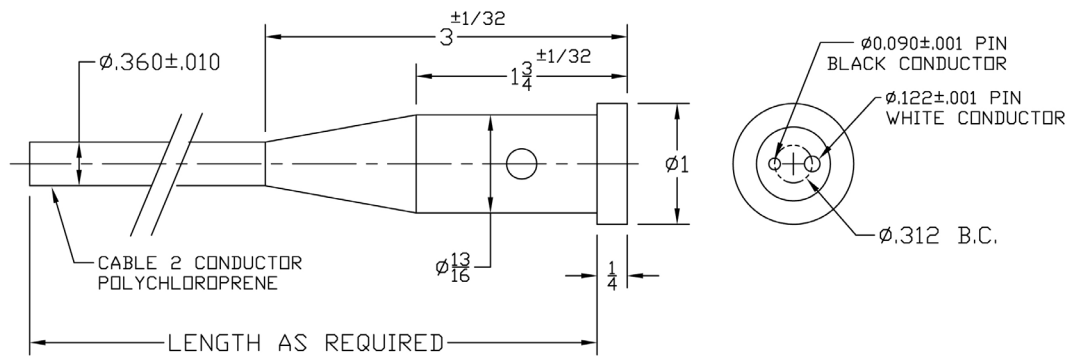


MassaSonic C1M2 male and C1F2 female 2-conductor in-line Underwater Connectors were developed specifically for the oceanographic community to provide highly reliable underwater connection. Massa has manufactured and sold over 100,000 connector pairs, and some have been successfully used for over 20 years in the ocean. There has never been a failure of a connector reported to Massa.

Massa typically supplies transducers with C1F2 Female Connectors attached. C1M2 Male Connectors can be purchased separately to complete the mating connection. The standard C1M2 is attached to a 5 foot cable with a retaining ring included, but connectors can be fabricated with any length of cable required.



Outline Drawing of a C1M2 Male Connector for Mating to Massa Underwater Transducers (without retaining ring)



Outline Drawing of a C1F2 Female Connector Supplied on Massa Underwater Transducers (without retaining ring)

All Specifications Subject to Change Without Notice

ORDERING INFORMATION

C1M2 Male Underwater Connector P/N C1M2
Includes Retainer Ring P/N 21352-2

C1F2 Female Underwater Connector P/N C1F2
Includes Retainer Ring P/N 21352-1



GENERATIONS AHEAD IN SONAR & ULTRASONIC TECHNOLOGY

MASSA PRODUCTS CORPORATION

280 Lincoln St., Hingham, MA 02043 U.S.A.

Tel: 781-749-4800 Fax: 781-740-2045

Toll Free in USA: 800-962-7543

www.massa.com